



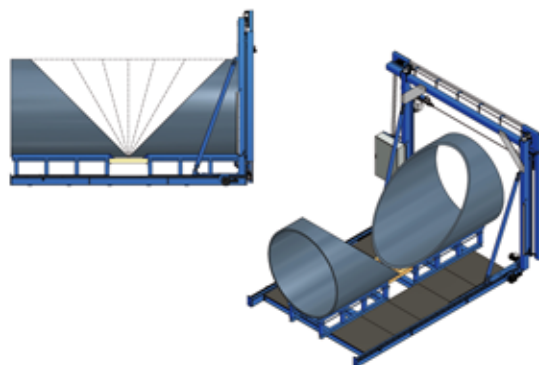
Cutting possibilities at the big pipe band saws BSM 2000 – BSM 3500

The new generation of band saws for big pipes is very flexible relating to the cutting possibilities because of the new side bow concept.

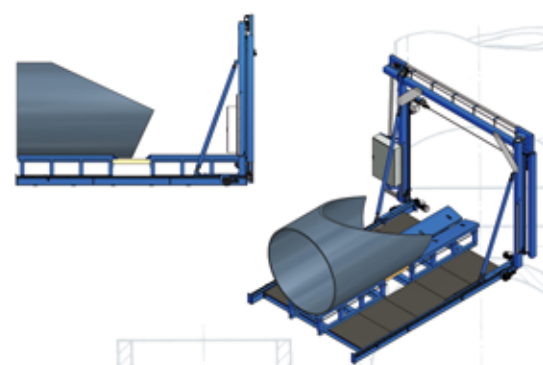
The shown cutting possibilities can be realised without turning the pipe. The pipe has to be placed on the machine and fixed. If the pipe is fixed the cutting steps can be done completely.

At the cutting steps the worker will be guided by a visualise dialog System.

stepless 0 – 45 °

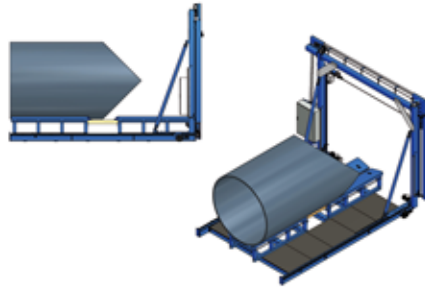


Y - pipe

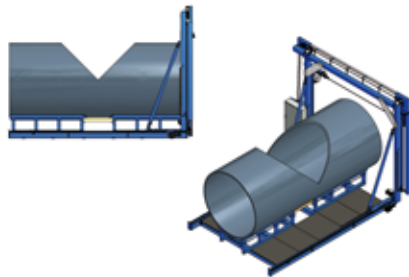




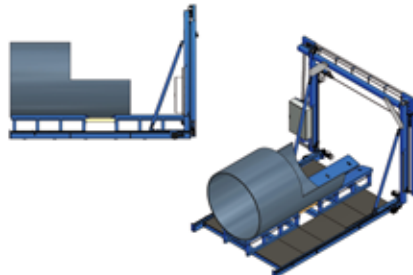
**Cutting possibilities at the big pipe band saws
BSM 2000 – BSM 3500**



T – piece exit pipe



T – piece main pipe



cross sectional cut

***Simple and intuitively operation!
It's just the beginning! Please let us know your cutting employment.***